

**EXKT44-1030-21-1**

**Precut 9 footer**

**Application**

The eXapath system's award-winning in-wall pathways allow easy installation and removal of low voltage cables enabling structured wiring to keep pace as new generations of consumer electronics become available.

Installing reusable cabling pathways during construction and renovation provides the upgrade path you need for the future and with eXapath contractor kits containing pre-cut eXapath conduits, installation time and waste stream are minimized.

**Sustainability**

Sustainable for many reasons...the most obvious is how the eXapath system integrates seamlessly with traditional construction methods while complementing today's most advanced sprayfoam insulating materials leaving a structure that is both energy conserving and ready for generations of technology change.

**Simple Installation (3 to 5 minutes)**

Using the built-in T-square and marking guides, simply position the mounting bracket against the shoe or plate (upside-down) and mark the location where you intend to create cable passage. Drill a through-hole in the shoe or plate framing using a 2 1/8" hole saw, align the mounting bracket with the newly created hole using the built-in alignment guide. and simply fasten in place with a screw or nail using the rear receptacle. From here simply install the mating eXapath conduit by snapping it in place and fully rotate the living hinge of the mounting bracket, click in place and fasten with a screw or nail using the front receptacle.

**Benefits**

- |   |   |
|---|---|
| Energy conservation and upgrade path for home electronics | Add outlets before or after drywall             |
| Pre-cut lengths for rapid system installation             | Locate eXapath easily using common stud finders |
| Built-in v-groove pilot for creating outlet port          | Snap-in outlet anywhere along vertical axis     |
| Handy nail plates to protect horizontal line voltage      | Move, add or change cables for life of home     |
| Large capacity pathway holds many cables                  | Minimal disruption when changing cables         |

**Ordering Information**

We encourage distributors and contractors to call us at (860) 767 1122 to learn about our distributor and Value-Added Reseller (VAR) programs. DIYers can order EXKT44-1030-21-1 in small project quantities directly from Homepath Products., LLC using the secure shopping cart at [www.homepathproducts.com](http://www.homepathproducts.com).

**Packaging and Recycling**

The kits are packaged using recyclable polyethylene film and recycled cardboard. In an effort to reduce waste stream at the job site the amount of material is optimized to protect the material during transport and then be condensed for recycling.

**eXapath™ trial pack, one pre-cut 9 foot conduit (103") and accessories**



- |                   |                 |
|-------------------|-----------------|
| HOME THEATER      | HOME SECURITY   |
| WHOLE HOUSE AUDIO | CCTV            |
| CATV              | HOME AUTOMATION |
| TELEPHONE         | FIBER OPTICS    |
| DATA NETWORKING   | LED LIGHTING    |



The eXapath system shown in sprayfoam insulation



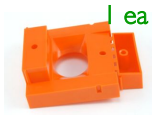
## In the Kit

EXKT44-1030-21-1

Precut 9 footer



EXCS44-1030-21  
eXapath  
Conduit



EXTP44-21  
Mounting  
Bracket Socket



EXBP44-21  
Mounting  
Bracket Pipe



EXBXSG-21  
Single Gang  
Outlet



EXNPSG-00  
Multipurpose  
Nail Plate



## Ordering Options: Contractor Kits

Part Number	L (ft)	eXapath pathways	Mounting Bracket w/Pipe	Mounting Bracket w/Socket	eXapath Outlets	Nail Plates	Standard Shipping Weight
EXKT44-1030-21-5	9	5 each	5 each	5 each	3 each	5 each	34 lbs.
EXKT44-1030-21-1	9	1 each	1 each	1 each	1 each	1 each	9 lbs.
EXKT44-0910-21-5	8	5 each	5 each	5 each	3 each	5 each	32 lbs.
EXKT44-0910-21-1	8	1 each	1 each	1 each	1 each	1 each	9 lbs.

Contractor Kits include screws for installation

## Ordering Options: Accessories

EXBP44-21-10	10 each						7 lbs.
EXTP44-21-10				10 each			4 lbs.
EXBXSG-21-10					10 each		3 lbs.
EXNPSG-00-10						10 each	5 lbs.

## Materials

Rigid flame retardant PVC, meets UL 2024 vertical flame propagation testing for optical fiber/communication cable raceway.

Nail plates: steel

## Installation Tips

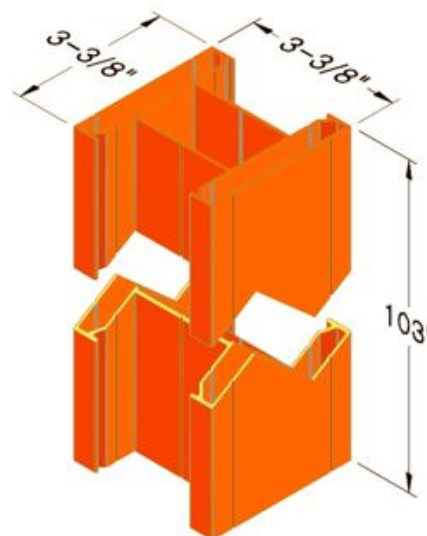
Pre-plan locations for eXapath pathways taking care to avoid interference with other electrical/mechanical subsystems

Use commercially available fire caulking around poke-through penetrations. If required by local code use fire putty around cables.

Use eXapath pre-cut pathways for quick installation or cut to length on site.

Take advantage of built-in T-square and marking guides to ensure perfect hole creation and system alignment every time.

Commonly available J-hooks, cable tray or raceway work well for combining and managing cables in the attic or basement. A 4 to 6" schedule 40 conduit works well as a main chase return path running from the attic to the main distribution panel in the garage or basement.



Always wear safety glasses when handling or cutting this material and closely follow installation instructions.



For general inquiries and technical support, please call us or visit our web site (see below)

Product specifications subject to change without notice.

9409

Patent Pending

page 2 of 2

Local codes prevail, please consult your local building official to determine suitability of this product for use in your project.

Homepath Products, LLC

158 Westbrook Road

Essex, CT 06426

www.homepathproducts.com

Designed and produced in USA



Tel: 860-767-1122

Fax: 860-767-1118